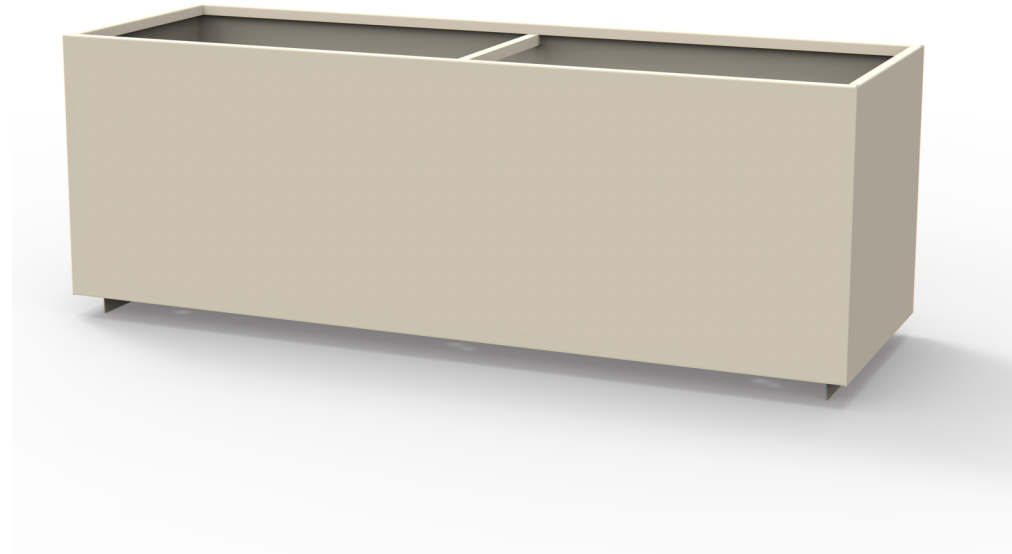
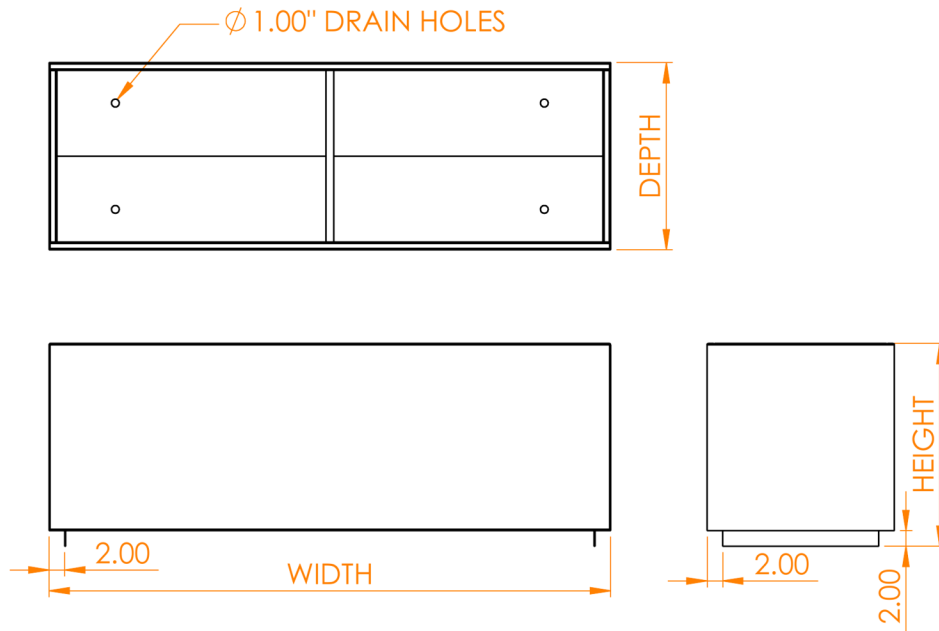




# CLASSICS - DUOPLANE

**PRODUCT DESCRIPTION:** The DuoPlane planter features the classic rectangular silhouette leveled on dual straight edged tiers, allowing a sleek "hover" effect. The DuoPlane is a quality design, fully customizable and built to withstand the ever changing elements of the urban landscape.



This product can be customized in size, material & finish.

Offered materials include:

1/8" aluminum ASTM B-209, 5052 alloy with a polyester based architectural/marine grade powder coat finish. Offered in our standard finishes or any RAL color,  
1/8" standard mill finish stainless steel & brushed finish stainless steel ASTM A240 stainless steel T-304,T-316"L,  
1/8" Corten Steel ASTM A588OR with natural patina finish.

Check out a list of our popular custom integrations:

- Integrated LED Lighting: Toe-Kick, Front Lighting, Light curtain, Inside under Lip
  - Integrated Speakers
  - Irrigation sleeve
  - Drainage accommodations
  - Lattice/Trellis
  - Seating
- Your specified accommodations & integrations, you've got an idea? We can help.

Like this product?

Contact us indicating product name, desired size, material, finish, and your choice of custom integrations.

#### LEGAL:

All Rights Reserved. Information in this document is confidential and is exclusive property of OnSiteFX Incorporated. Delivery of this document or any copy thereof or disclosure of such information to unauthorized persons is forbidden without expressed written permission of OnSiteFX Incorporated.



1014 Grand Blvd #1  
Deer Park, NY 11729  
646.246.8289  
info@OnSiteFX.com  
[OnSiteFX.com](http://OnSiteFX.com)